

CORSTON

ARCHITECTURAL DETAIL



Harper Long Plate Sprung Door Handle & Thumbturn

Antique Brass 16767

Simple and bold but well-proportioned, Harper is a modern door handle that also wouldn't be out of place with more traditional architecture.

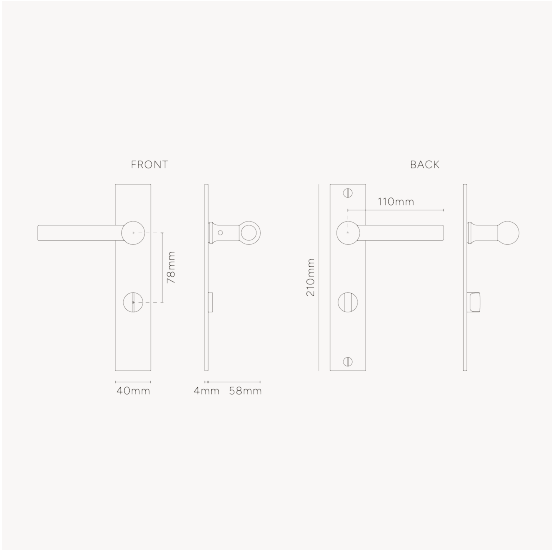
We've added a low-profile, long backplate with a built-in thumbturn to this version.

The handle comes with a sprung mechanism inside which is strong enough to take the weight of the solid brass and stop it sagging over time. It means you can pair it with any latch.



There's also no danger of it coming away in your hand – we've engineered the backplate and lever to be inseparable.

Antique brass is what's called a 'living' finish because it reacts to the air and moisture around it, causing it to darken (especially in the areas you touch most). We've given it a head start by ageing it by hand, so it has that antique look right out the box.



CORSTON

ARCHITECTURAL DETAIL

- Made from solid brass
 - 4mm backplate with screwless 'front' side
- Super smooth turn thanks to self-lubricating, high-tolerance bushings
 - Designed for use with tubular latches and locks, or mortice locks
 - Engineered to fit all standard door thicknesses
- When retrofitting, you'll need to use our door handle installation tool
 - Suitable for interior and exterior doors
 - Sold in a pair

Suitability : **Interior doors**

Min. thickness : **35mm**

Max. thickness: **50mm**

Spindle size : **8mm x 8mm**

Mechanism : **Sprung**

Installation Prep: **Requires a 30mm dia. x 8mm deep hole drilled into the door to accept the sprung mechanism**

✉ hi@corston.eu

☎ +44 (0) 1249 549332