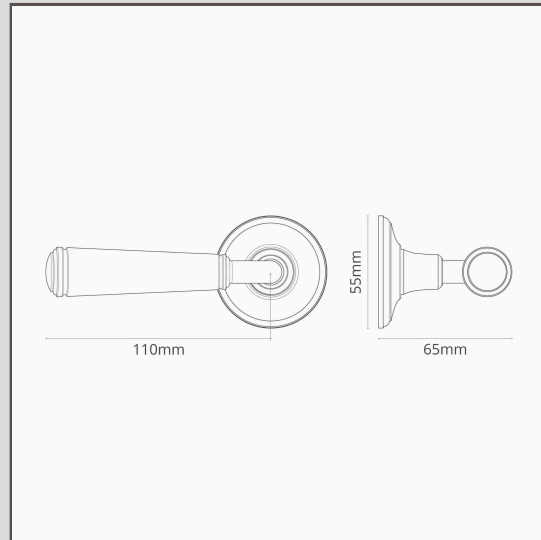


## Digby Door Handle Unsprung - Polished Nickel

17669



The detailing on our Digby polished nickel door handle makes it one of our more traditional styles, but its simplicity will work in modern spaces too.

It's unsprung, which means you can use it with an existing sprung latch. We'd always recommend using our unsprung lever handles with strongly sprung latches to stop sagging over time.

There's also no danger of the handle coming away – the spindle is threaded onto the handle which holds it in place.

Polished nickel is our answer to chrome. It's a bit warmer, which we think is more versatile, so you can use it with warm or cool colour palettes.

- Low-profile rose with concealed screws
- Super smooth turn thanks to self-lubricating, high-tolerance bushings
- Sold in a pair
- Dimensions: handle W110mm x D65mm; rose dia. 55mm
- Designed for use with a tubular latch or mortice lock
- Suitable for interior doors only
- Minimum door thickness 35mm; maximum door thickness 45mm (with supplied fixings)
- Accepts 8mm Corston spindle (supplied)