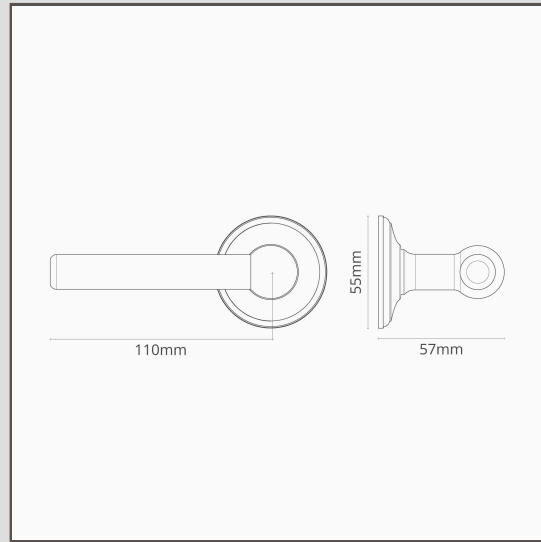


Harper Sprung Door Handle - Antique Brass

15748



Simple and bold but well-proportioned, Harper is a modern door handle that, thanks to its timeless antique brass finish, also wouldn't be out of place with more traditional architecture.

It comes with a sprung mechanism inside which is strong enough to take the weight of the solid brass handle and stop it sagging over time. It means you can pair it with any latch.

There's also no danger of the handle coming away – the spindle is threaded onto the handle which holds it in place.

Antique brass is what's called a 'living' finish because it reacts to the air and moisture around it, causing it to darken (especially in the areas you touch most). We've given it a head start by ageing it by hand, so it has that antique look right out the box.

- Low-profile rose with concealed screws
- Super smooth turn thanks to self-lubricating, high-tolerance bushings
- Sold in a pair
- Must be installed using our [45mm Forstner drill bit](#) and [door handle retro fitting kit](#)
- Dimensions: handle W110mm x H57mm; rose dia. 55mm
- Designed for use with a tubular latch or mortice lock
- Suitable for interior doors only
- Minimum door thickness 35mm; maximum door thickness 45mm (with supplied fixings)
- Supplied with Corston sprung mechanism
- Accepts 8mm Corston spindle (supplied)