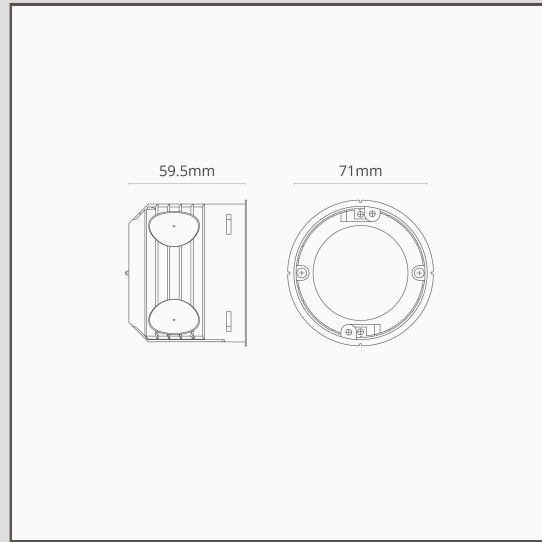


Single Corston Back Box

39807



You must use our back boxes to install our flush-fit switches and sockets. They're deep enough to hold all the electrics inside, and the design means the plate sits in the correct position every time.

You can fit this single back box into masonry or stud walls. It has tabs and a lip that grip the plasterboard securely when installed into a cavity.

It's also made from fully recycled and recyclable post-consumer plastic.

We sell 9mm and 3mm trims to add to your back box so you can render or skim it into the wall for a perfect finish. The box comes with a cover that allows you to do this without getting plaster inside.

- Patented electrical system engineered to make our signature flush-fit design possible
- Quick and easy to fit
- A 71mm Hole Saw is required to fit Corston Back Boxes
- Fire retardant