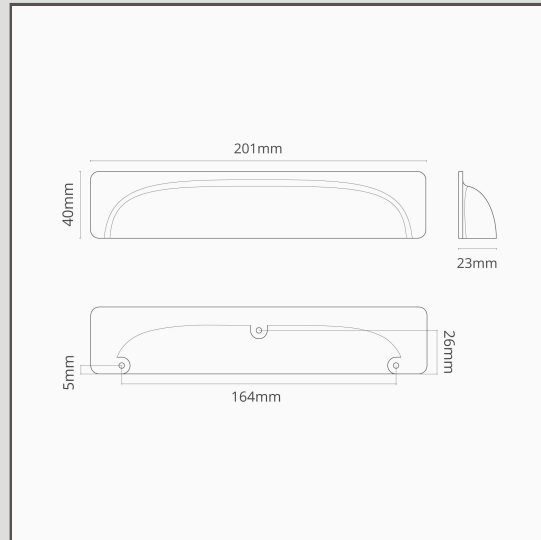


Elm Cup Handle 164mm - Polished Nickel

12221



These traditional cup handles have a familiar feel and will sit well on both simplistic and detailed furniture.

This longer handle works well on bigger drawers and pantry doors.

Polished nickel is our answer to chrome. It's a bit warmer, which we think is more versatile, so you can use it with warm or cool colour palettes.

- Screwless design
- Made from solid brass
- Comes with M4x snap off screws to fit 12-20mm drawers and doors. You can buy longer snap off screws from our [spares page](#)
- Match with [hooks](#), [shelf brackets](#) and [switches](#) from the [polished nickel collection](#)
- Dimensions: Length 201mm x Width 40mm x Depth 23mm
- 164mm screw spacing
- M4 Snap off Screws supplied to install on 18-20mm drawers and doors. Longer Snap off Screws are available on the spares page [here](#).