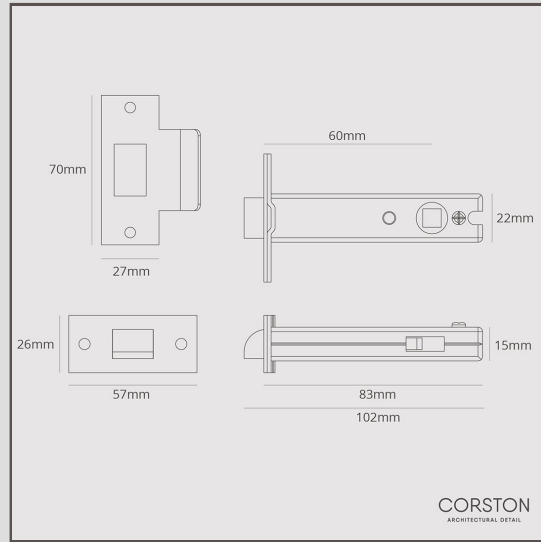


60mm Light Latch - Antique Brass

11753



Our light latch will keep your door tightly closed. It's engineered with light springs, so it's ideal for use with sprung lever door handles and unsprung door knobs.

Antique brass is what's called a 'living' finish because it reacts to the air and moisture around it, causing it to darken (especially in the areas you touch most). We've given it a head start by ageing it by hand, so it has that antique look right out the box.

- Antique brass-finished face plate and strike plate made from solid brass
- Use with our sprung lever door handles and unsprung door knobs
- Light sprung
- 100mm light latch also available
- 60mm backset
- Two-way action