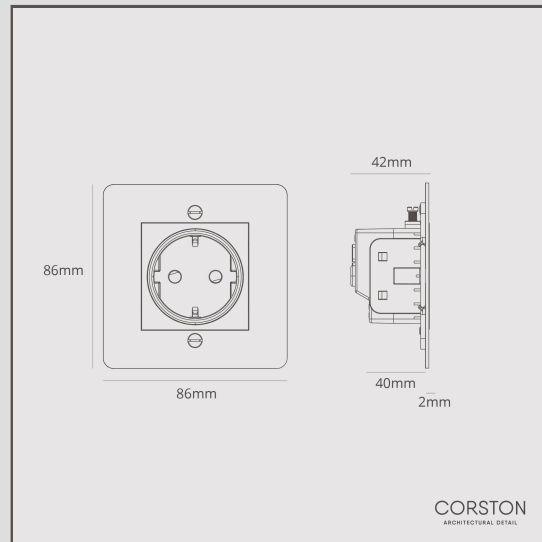


Schuko Socket - Polished Nickel White

16084



Use this Shuko Socket for any European plugs or connections.

All hardware is machined from solid brass which gives a superb level of detail and weight.

Polished nickel is our answer to chrome. It's a bit warmer, which we think is more versatile, so you can use it with warm or cool colour palettes.

Choose sockets with white inserts for a complementing finish that works well with pale or neutral accents.

- Made from solid brass
- Designed in-house
- Match with [spotlights](#), [door handles](#) and more from the polished nickel collection
- We recommend using a [35-47mm back box](#)
- Dimensions; H86mm x W86mm x D40mm
- Die-cast metal module chassis
- 16A 250V~
- Complies with DIN0620