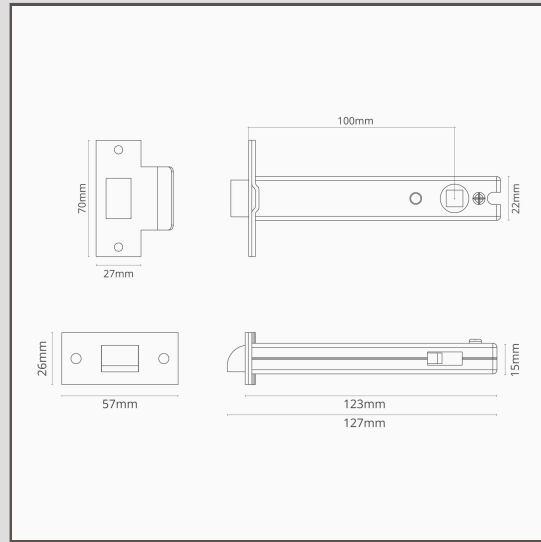


100mm Light Latch - Polished Nickel

13344



Our light latch will keep your door tightly closed. It's engineered with light springs, so it's ideal for use with sprung lever door handles and unsprung door knobs.

Polished nickel is our answer to chrome. It's a bit warmer, which we think is more versatile, so you can use it with warm or cool colour palettes.

- Polished nickel-finished face plate and strike plate made from solid brass
- Use with our sprung lever door handles and unsprung door knobs
- Light sprung
- 60mm light latch also available
- 100mm backset
- Two-way action