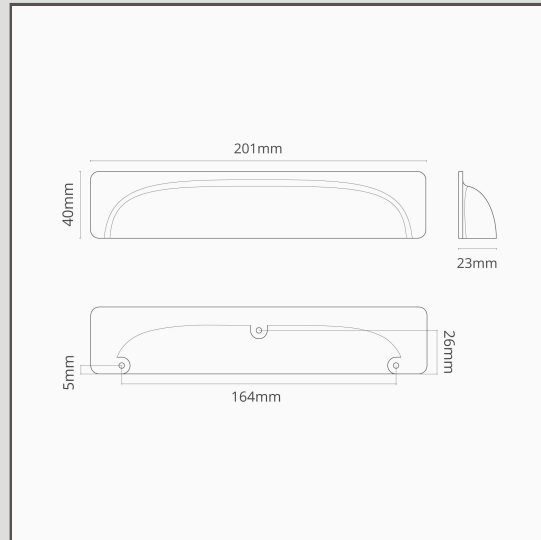


Elm Cup Handle 164mm - Bronze

15853



These traditional cup handles have a familiar feel and will sit well on both modern and contemporary furniture.

This longer handle works well on bigger drawers and pantry doors.

Bronze is our boldest finish, but it isn't shiny or bright, so it has a subtle side to it too. It's a deep matt brown colour that's almost black in some lights.

- Screwless design
- Made from solid brass
- Comes with M4x snap off screws to fit 12-20mm drawers and doors. You can buy longer snap off screws from our [spares page](#)
- Match with [hooks](#), [shelf brackets](#) and [switches](#)
- Dimensions: Length 201mm x Width 40mm x Depth 23mm
- 164mm screw spacing
- M4 Snap off Screws supplied to install on 18-20mm drawers and doors. Longer Snap off Screws are available on the spares page [here](#).