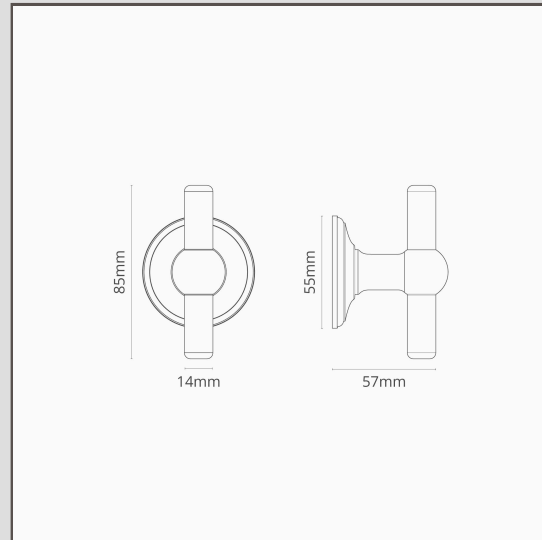


Harper T-Bar Sprung Door Handle - Antique Brass

16269



Our solid brass Harper T-bar door handle in Antique Brass is a sleek, architectural alternative to a door knob, inspired by Belgian hardware.

It's a versatile design, but will especially suit more minimal interiors.

This version of the Harper T-bar is sprung, which means you don't need to rely on the latch's spring for the handle's movement.

There's also no danger of the handle coming away – the spindle is threaded onto the handle which holds it in place.

Antique brass is what's called a 'living' finish because it reacts to the air and moisture around it, causing it to darken (especially in the areas you touch most). We've given it a head start by ageing it by hand, so it has that antique look right out the box.

- Low-profile rose with concealed screws
- Super smooth turn thanks to self-lubricating, high-tolerance bushings
- Sold in a pair
- Must be installed using our [45mm Forstner drill bit](#) and [door handle retro fitting kit](#)
- Dimensions: handle W85mm x H57mm; rose dia. 55mm
- Designed for use with a tubular latch or mortice lock
- Suitable for interior doors only
- Minimum door thickness 35mm; maximum door thickness 45mm (with supplied fixings)
- Supplied with Corston sprung mechanism
- Accepts 8mm Corston spindle (supplied)