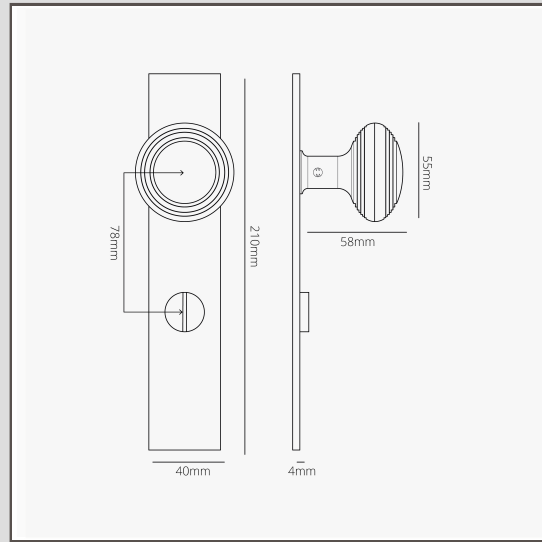


## Poplar Long Plate Sprung Door Knob & Thumbturn - Antique Brass

13426



Our Poplar design is our take on the classic Victorian beehive knob.

We've streamlined things, giving it a flatter knob and, in this case, a low-profile, long backplate and built-in thumbturn. It'll work great in period homes with a contemporary edge, or new homes that want to bring in a traditional touch.

This version of Poplar is sprung, which means you don't need to rely on the latch's spring for the handle's movement.

There's also no danger of the knob coming away in your hand – the spindle is threaded onto the handle which holds it in place.

Antique brass is what's called a 'living' finish because it reacts to the air and moisture around it, causing it to darken (especially in the areas you touch most). We've given it a head start by ageing it by hand, so it has that antique look right out the box.

- Solid brass 4mm backplate with screwless 'front' side
- Super smooth turn thanks to self-lubricating, high-tolerance bushings
- Longer handle neck for a comfortable grip (compared to rose variant)
- Sold in a pair
- Must be installed using our [12mm template profiler router bit](#) and [flat plate routing jig](#)
- Dimensions: handle W55mm x H62mm; plate H210mm x W40mm x D4mm
- Designed for use with tubular latches and locks, or bathroom mortice locks
- Supplied with Corston sprung mechanism
- Suitable for interior doors only
- Minimum door thickness 35mm; maximum door thickness 50mm (with supplied fixings)
- Accepts 8mm Corston spindle (supplied)