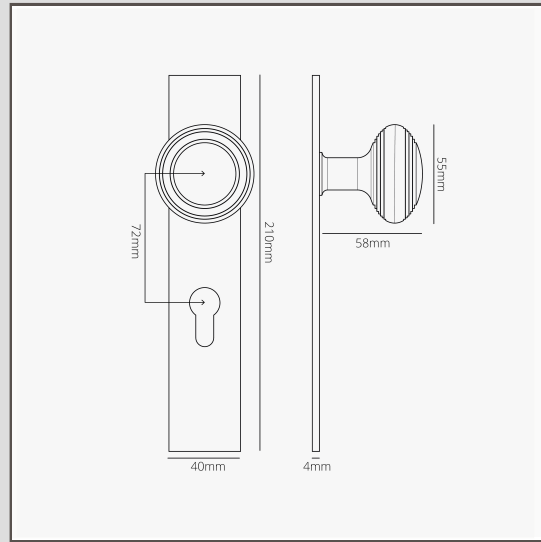


## Poplar Long Plate Sprung Door Knob & Euro Lock - Bronze

17685



Our Poplar design is our take on the classic Victorian beehive knob.

We've streamlined things, giving it a flatter knob and, in this case, a low-profile, long backplate that's designed for use with a Euro cylinder lock. It'll work great in period homes with a contemporary edge, or new homes that want to bring in a traditional touch.

This version of Poplar is sprung, which means you don't need to rely on the latch's spring for the handle's movement.

There's also no danger of the knob coming away in your hand – the spindle is threaded onto the handle which holds it in place.

Bronze is our boldest finish, but it isn't shiny or bright, so it has a subtle side to it too. It's a deep matt brown colour that's almost black in some lights.

- Solid brass 4mm backplate with screwless 'front' side
- Super smooth turn thanks to self-lubricating, high-tolerance bushings
- Longer handle neck for a comfortable grip (compared to rose variant)
- Sold in a pair
- Must be installed using our [12mm template profiler router bit](#) and [flat plate routing jig](#)
- Dimensions: handle W55mm x H62mm; plate H210mm x W40mm x D4mm
- Designed for use with Euro mortice locks with a 72mm C-C spacing (cylinder not included)
- Supplied with Corston sprung mechanism
- Suitable for interior doors only
- Minimum door thickness 35mm; maximum door thickness 50mm (with supplied fixings)
- Accepts 8mm Corston spindle (supplied)