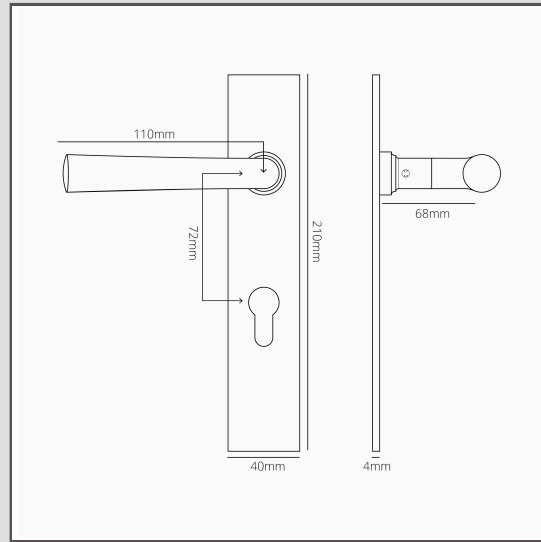


Apsley Long Plate Sprung Door Handle & Euro Lock - Antique Brass

15594



The tapered lever handle on our Apsley design is sleek and simple, while the low-profile, long backplate gives it a bold, contemporary edge. This version of the plate is designed for use with a Euro cylinder lock.

The handle comes with a sprung mechanism inside which is strong enough to take the weight of the solid brass and stop it sagging over time. It means you can pair it with any latch.

There's also no danger of it coming away in your hand – the spindle is threaded onto the handle which holds it in place.

Antique brass is what's called a 'living' finish because it reacts to the air and moisture around it, causing it to darken (especially in the areas you touch most). We've given it a head start by ageing it by hand, so it has that antique look right out the box.

- Solid brass 4mm backplate with screwless 'front' side
- Super smooth turn thanks to self-lubricating, high-tolerance bushings
- Sold in a pair
- Must be installed using our [12mm template profiler router bit](#) and [flat plate routing jig](#)
- Dimensions: handle W110mm x H64mm; plate H210mm x W40mm x D4mm
- Designed for use with Euro mortice locks with a 72mm C-C spacing (cylinder not included)
- Suitable for interior doors only
- Minimum door thickness 35mm
- Maximum door thickness 45mm (with supplied fixings)
- Accepts 8mm Corston spindle (supplied)