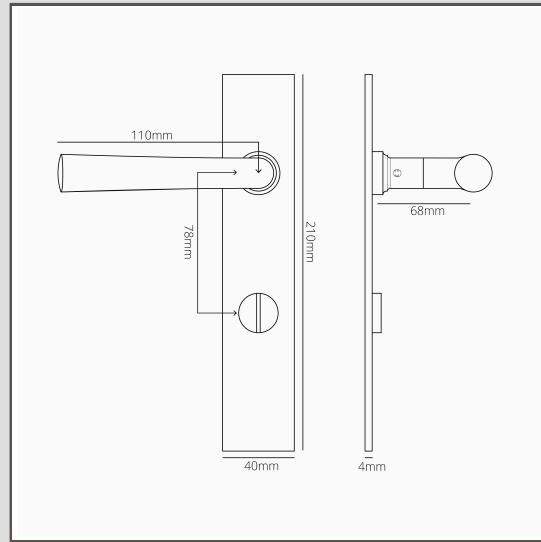


Apsley Long Plate Sprung Door Handle & Thumbturn - Polished Nickel

14802



The tapered lever handle on our Apsley design is sleek and simple, while the low-profile, long backplate gives it a bold, contemporary edge. This version of the plate has a built-in thumbturn.

The handle comes with a sprung mechanism inside which is strong enough to take the weight of the solid brass and stop it sagging over time. It means you can pair it with any latch.

There's also no danger of it coming away in your hand – the spindle is threaded onto the handle which holds it in place.

Polished nickel is our answer to chrome. It's a bit warmer, which we think is more versatile, so you can use it with warm or cool colour palettes.

- Solid brass 4mm backplate with screwless 'front' side
- Super smooth turn thanks to self-lubricating, high-tolerance bushings
- Sold in a pair
- Must be installed using our [12mm template profiler router bit](#) and [flat plate routing jig](#)
- Dimensions: handle W110mm x H64mm; plate 210mm x W40mm x D4mm
- Designed for use with tubular latches and locks, or bathroom mortice locks
- Supplied with Corston sprung mechanism
- Suitable for interior doors only
- Minimum door thickness 35mm; maximum door thickness 45mm (with supplied fixings)
- Accepts 8mm Corston spindle (supplied)