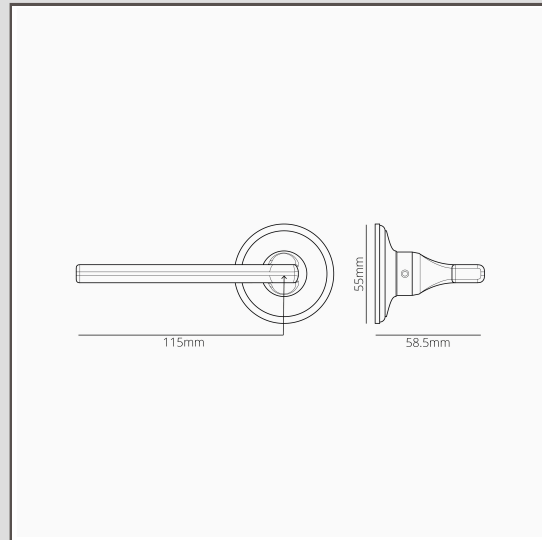


Clayton Sprung Door Handle - Polished Nickel

13311



Clayton is probably our most modern door handle thanks to its sleek, flat-surfaced lever (the front-facing surface still has a subtle curve to it for a really pleasing overall feel).

It comes with a sprung mechanism inside which is strong enough to take the weight of the solid brass handle and stop it sagging over time. It means you can pair it with any latch.

There's also no danger of the handle coming away – the spindle is threaded onto the handle which holds it in place.

Polished nickel is our answer to chrome. It's a bit warmer, which we think is more versatile, so you can use it with warm or cool colour palettes.

- Low-profile rose with concealed screws
- Super smooth turn thanks to self-lubricating, high-tolerance bushings
- Sold in a pair
- Must be installed using our [45mm Forstner drill bit](#) and [door handle retro fitting kit](#)
- Dimensions: handle W115mm (spindle to end of handle) x H60mm; rose dimensions dia. 55mm
- Designed for use with a tubular latch or mortice locks
- Suitable for interior doors only
- Minimum door thickness 35mm
- Maximum door thickness 45mm (with supplied fixings)
- Accepts 8mm Corston spindle (supplied)