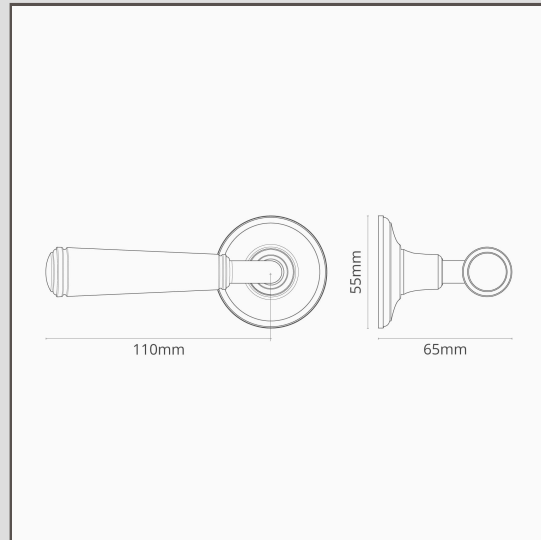


Digby Sprung Door Handle - Bronze

18902



The detailing on our Digby Bronze door handle makes it one of our more traditional styles, but its simplicity will work in modern spaces too.

It comes with a sprung mechanism inside which is strong enough to take the weight of the solid brass handle and stop it sagging over time. It means you can pair it with any latch.

There's also no danger of the handle coming away – the spindle is threaded onto the handle which holds it in place.

Bronze is our boldest finish, but it isn't shiny or bright, so it has a subtle side to it too. It's a deep matt brown colour that's almost black in some lights.

- Low-profile rose with concealed screws
- Super smooth turn thanks to self-lubricating, high-tolerance bushings
- Sold in a pair
- Must be installed using our [45mm Forstner drill bit](#) and [door handle retro fitting kit](#)
- Dimensions: handle W110mm x D65mm; rose dia. 55mm
- Designed for use with a tubular latch or mortice lock
- Suitable for interior doors only
- Minimum door thickness 35mm; maximum door thickness 45mm (with supplied fixings)
- Supplied with Corston sprung mechanism
- Accepts 8mm Corston spindle (supplied)