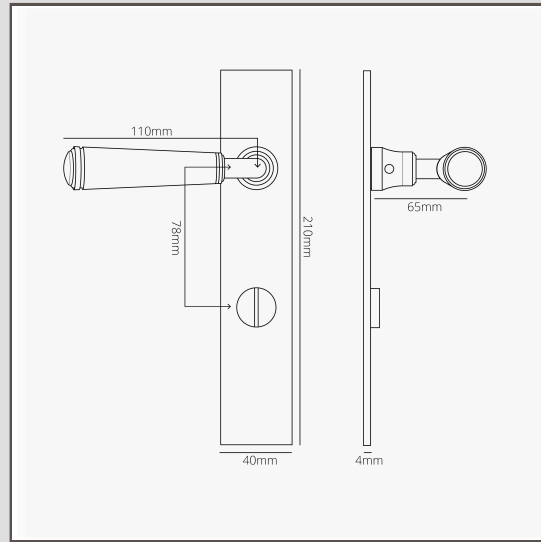


Digby Long Plate Sprung Door Handle & Thumbturn - Bronze

13874



The detailing on our Digby door handle makes it one of our more traditional styles, but its simplicity will work in modern spaces too.

This version includes a low-profile, long backplate with a built-in thumbturn.

The handle comes with a sprung mechanism inside which is strong enough to take the weight of the solid brass handle and stop it sagging over time. It means you can pair it with any latch.

There's also no danger of it coming away – the spindle is threaded onto the handle which holds it in place.

Bronze is our boldest finish, but it isn't shiny or bright, so it has a subtle side to it too. It's a deep matt brown colour that's almost black in some lights.

- Solid brass 4mm backplate with screwless 'front' side
- Super smooth turn thanks to self-lubricating, high-tolerance bushings
- Sold in a pair
- Must be installed using our [12mm template profiler router bit](#) and [flat plate routing jig](#)
- Dimensions: handle W110mm x D65mm; plate H210mm x W40mm x D4mm
- Designed for use with tubular latches and locks, or bathroom mortice locks
- Supplied with Corston sprung mechanism
- Suitable for interior doors only
- Minimum door thickness 35mm; maximum door thickness 45mm (with supplied fixings)
- Accepts 8mm Corston spindle (supplied)