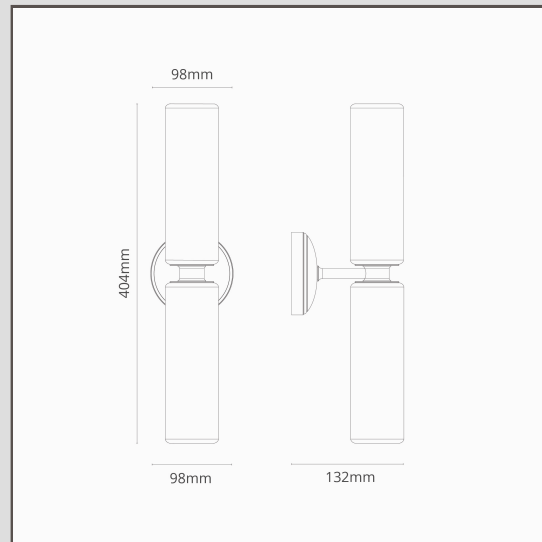


## Claremont Medium Wall Light Fine Porcelain - Polished Nickel

13571



The dual design of our Claremont medium wall light provides both up and down light from two fine porcelain shades. Like the small single shade version, the streamlined silhouette looks great in both classic and contemporary homes.

Use on either side of a bathroom mirror, or to illuminate wall art or architectural features.

The fine porcelain shades provide a warm, atmospheric glow with absolutely no glare.

Unlike our fluted glass style, we've left the shades open rather than sealing them (we think it creates a nicer light). It means this version of our Claremont medium wall light isn't suitable for outdoor use.

Polished nickel is our answer to chrome. It's a bit warmer, which we think is more versatile, so you can use it with warm or cool colour palettes.

- Solid brass body
- Fine porcelain shades
- Fits a standard G9 bulb
- Designed and engineered in the UK
- Match with any of our polished nickel spotlights, switches and sockets
- Dimensions: H404mm x W98mm; mounting rose dia. 98mm.
- Fully dimmable with a suitable G9 bulb
- Rated IP44 - suitable for use in zone 2 of bathrooms. Not suitable for outdoor use
- Use with 18mm energy saving G9 bulbs, not included
- No driver required
- Comes with WAGO connectors for quick and easy wiring and testing