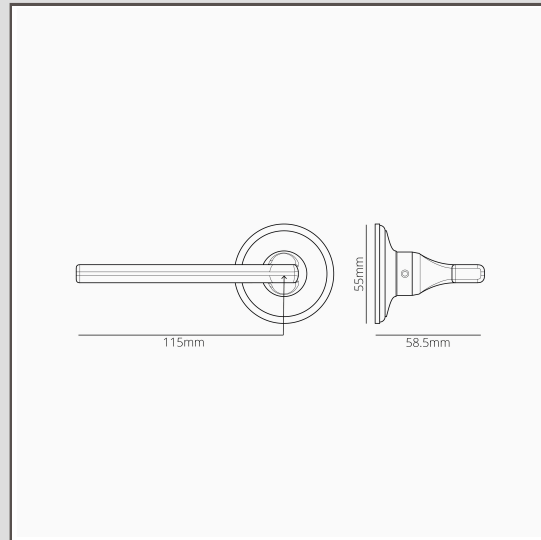


Clayton Fixed Door Handle – Polished Nickel

18747



Clayton is probably our most modern door handle thanks to its sleek, flat-surfaced lever (the front-facing surface still has a subtle curve to it for a really pleasing overall feel).

It comes with a fixed spindle that's normally used on double doors to give a solid fix to the handle on the inactive door. You can push or pull it, but it won't turn.

There's also no danger of the handle coming away in your hand – the spindle is threaded onto the handle which holds it in place.

Polished nickel is our answer to chrome. It's a bit warmer, which we think is more versatile, so you can use it with warm or cool colour palettes.

- Low-profile rose with concealed screws
- Sold in a pair
- Dimensions: handle W110mm x H60mm; rose dia. 55mm
- Fixed door handle suitable for use with a roller catch
- Suitable for interior doors only
- Minimum door thickness 35mm; maximum door thickness 45mm (with supplied fixings)
- Accepts 8mm Corston spindle (supplied)