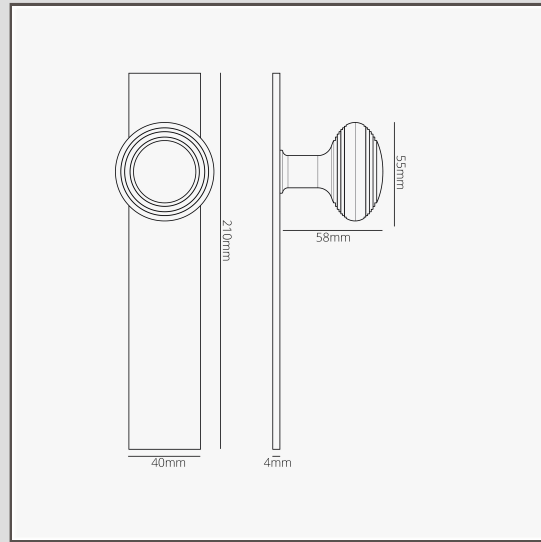


Poplar Long Plate Fixed Door Knob – Bronze

11366



Our Poplar design is our take on the classic Victorian beehive knob.

We've streamlined things, giving it a flatter knob and, in this case, a low-profile, long backplate. It'll work great in period homes with a contemporary edge, or new homes that want to bring in a traditional touch.

This version of Poplar comes with a fixed spindle. It's normally used on double doors to give a solid fix to the handle on the inactive door. You can push or pull it, but it won't turn.

There's also no danger of the knob coming away in your hand – the spindle is threaded onto the handle which holds it in place.

Bronze is our boldest finish, but it isn't shiny or bright, so it has a subtle side to it too. It's a deep matt brown colour that's almost black in some lights.

- Solid brass 4mm backplate with screwless 'front' side
- Longer handle neck for a comfortable grip (compared to rose variant)
- Sold in a pair
- Must be installed using our [12mm template profiler router bit](#) and [flat plate routing jig](#)
- Dimensions: handle W55mm x H62mm; plate H210mm x W40mm x D4mm
- Fixed door knob suitable for use with a roller catch
- Suitable for interior doors only
- Minimum door thickness 35mm; maximum door thickness 50mm (with supplied fixings)
- Accepts 8mm Corston spindle (supplied)