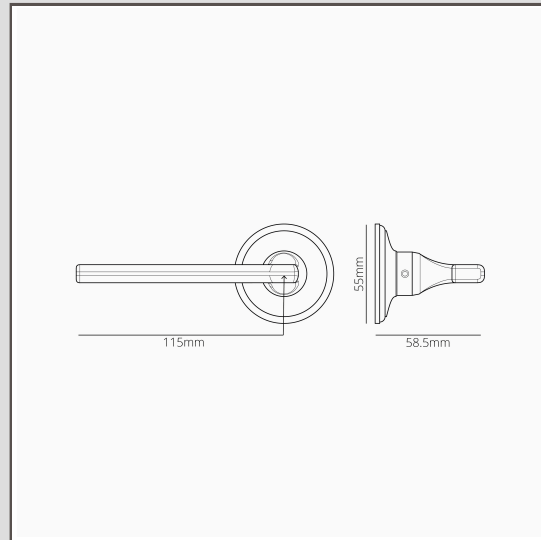


## Clayton Unsprung Door Handle – Antique Brass

19299



Clayton is probably our most modern door handle thanks to its sleek, flat-surfaced lever (the front-facing surface still has a subtle curve to it for a really pleasing overall feel).

This version is unsprung, which means you can use it with an existing sprung latch. We'd always recommend using our unsprung lever handles with strongly sprung latches to stop sagging over time.

There's also no danger of the handle coming away in your hand – the spindle is threaded onto the handle which holds it in place.

Antique brass is what's called a 'living' finish because it reacts to the air and moisture around it, causing it to darken (especially in the areas you touch most). We've given it a head start by ageing it by hand, so it has that antique look right out the box.

- Low-profile rose with concealed screws
- Super smooth turn thanks to self-lubricating, high-tolerance bushings
- Sold in a pair
- Dimensions: handle W110mm x H60mm; rose dia. 55mm
- Designed for use with a tubular latch or mortice lock
- Suitable for interior doors only
- Minimum door thickness 35mm; maximum door thickness 45mm (with supplied fixings)
- Accepts 8mm Corston spindle (supplied)