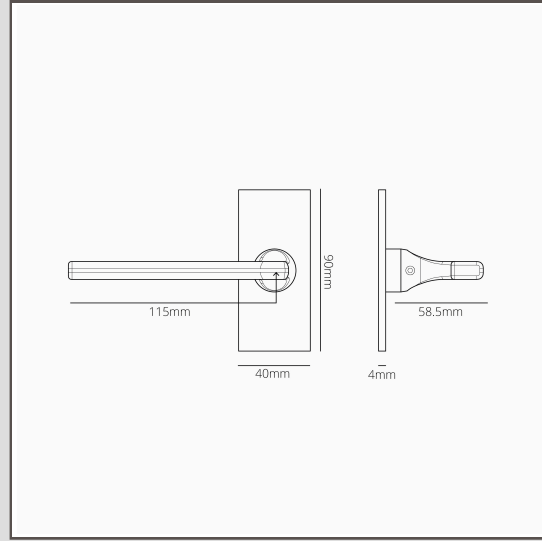


Clayton Short Plate Fixed Door Handle – Bronze

19270



Clayton is probably our most modern door handle thanks to its sleek, flat-surfaced lever (the front-facing surface still has a subtle curve to it for a really pleasing overall feel).

This version includes a low-profile, short backplate for a slightly bolder look.

The handle comes with a fixed spindle that's normally used on double doors to give a solid fix to the handle on the inactive door. You can push or pull it, but it won't turn.

There's also no danger of it coming away in your hand – the spindle is threaded onto the handle which holds it in place.

Bronze is our boldest finish, but it isn't shiny or bright, so it has a subtle side to it too. It's a deep matt brown colour that's almost black in some lights.

- Solid brass 4mm backplate with screwless 'front' side
- Sold in a pair
- Must be installed using our [12mm template profiler router bit](#) and [flat plate routing jig](#)
- Dimensions: handle W110mm x H60mm; plate H90mm x W40mm x D4mm
- Fixed door handle suitable for use with a roller catch
- Suitable for interior doors only
- Minimum door thickness 35mm; maximum door thickness 45mm (with supplied fixings)
- Accepts 8mm Corston spindle (supplied)