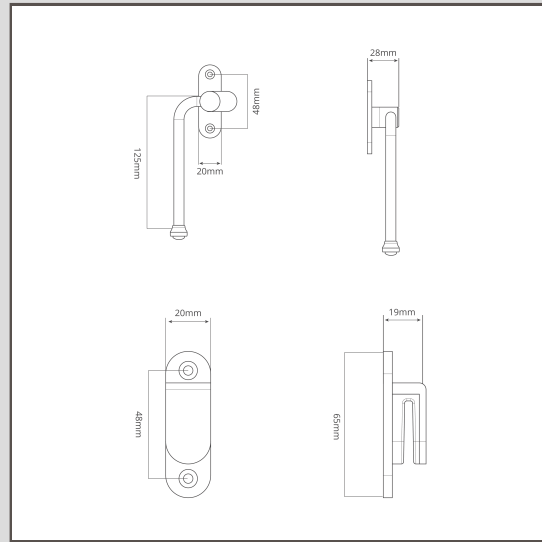


Southbank Casement Window Handle With Hook Right – Antique Brass

10825



We've designed our Southbank external window handles for use with timber casement windows.

This two-part handle mechanism has a catch that's designed to be surface mounted onto the front face of the window frame.

Antique brass is what's called a 'living' finish because it reacts to the air and moisture around it, causing it to darken (especially in the areas you touch most). We've given it a head start by ageing it by hand, so it has that antique look right out the box.

- Made from solid brass
- Right-hand variant
- Reeded end cap detail
- Sold individually
- Handle length 125mm
- M4 wood screws included